

Description

AP1605 consists of CMOS step-down switching regulator with PWM/PFM dual mode control. These devices include a reference voltage source, oscillation circuit, error amplifier, internal PMOS and etc.

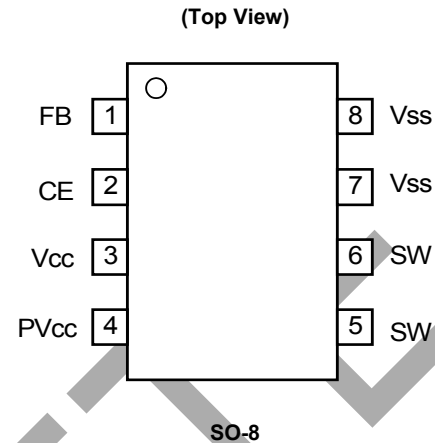
AP1605 provides low-ripple power, high efficiency, and excellent transient characteristics. The PWM/PFM control circuit is able to vary the duty ratio linearly 0%~0.25% (PFM) and 25%~100% (PWM).

With the addition of an internal P-channel Power MOS, a coil, capacitors, and a diode connected externally, these ICs can function as step-down switching regulators. They serve as ideal power supply units for portable devices when coupled with the SO-8 mini-package, providing such outstanding features as low current consumption. Since this converter can accommodate an input voltage of up to 7V, it is also ideal when operating via an AC adapter.

Features

- Low Current Consumption:
 - In Operation: 100µA max.
 - Power Off: 2µA max.
- Input Voltage: 2.5V to 7V Adjustable Version ($\pm 2.5\%$)
- PWM/PFM Dual Mode
- Oscillation Frequency: 300kHz (Typ.)
- With a Power-off Function
- Built-in Internal SW P-channel MOS
- **Totally Lead-Free & Fully RoHS Compliant (Notes 1 & 2)**
- **Halogen and Antimony Free. "Green" Device (Note 3)**

Pin Assignments



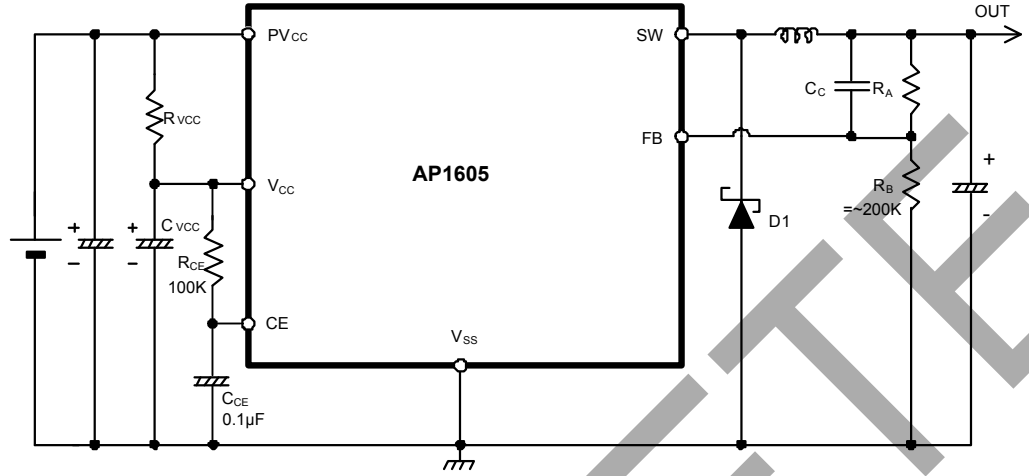
Applications

- On-board Power Supply of Battery Devices for Portable Telephones, Electronic Notebooks, PDA, and Other Hand-held Sets
- Power Supplies for Audio Equipment, Including Portable CD Players and Headphone Stereo Equipment
- Fixed Voltage Power Supply for Cameras, Video Equipment and Communications Equipment
- Power Supplies for Microcomputers
- Conversion from Four Ni-H or Ni-Cd Cells or Two Lithium-ion Cells to 3.3V/3V
- Conversion of AC Adapter Input to 5V/3V

- Notes:
1. No purposely added lead. Fully EU Directive 2002/95/EC (RoHS) & 2011/65/EU (RoHS 2) compliant.
 2. See http://www.diodes.com/quality/lead_free.html for more information about Diodes Incorporated's definitions of Halogen- and Antimony-free, "Green" and Lead-free.
 3. Halogen- and Antimony-free "Green" products are defined as those which contain <900ppm bromine, <900ppm chlorine (<1500ppm total Br + Cl) and <1000ppm antimony compounds.

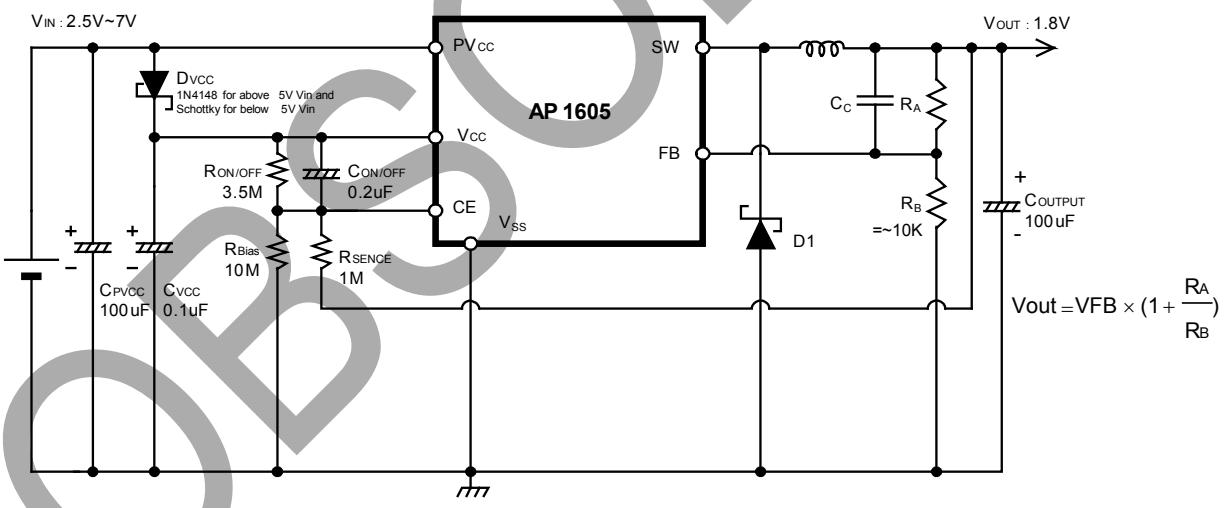
Typical Applications Circuit

(1) Normal Application



$$V_{OUT} = V_{FB} \times \left(1 + \frac{R_A}{R_B}\right)$$

(2) Application with Short Circuit Protection



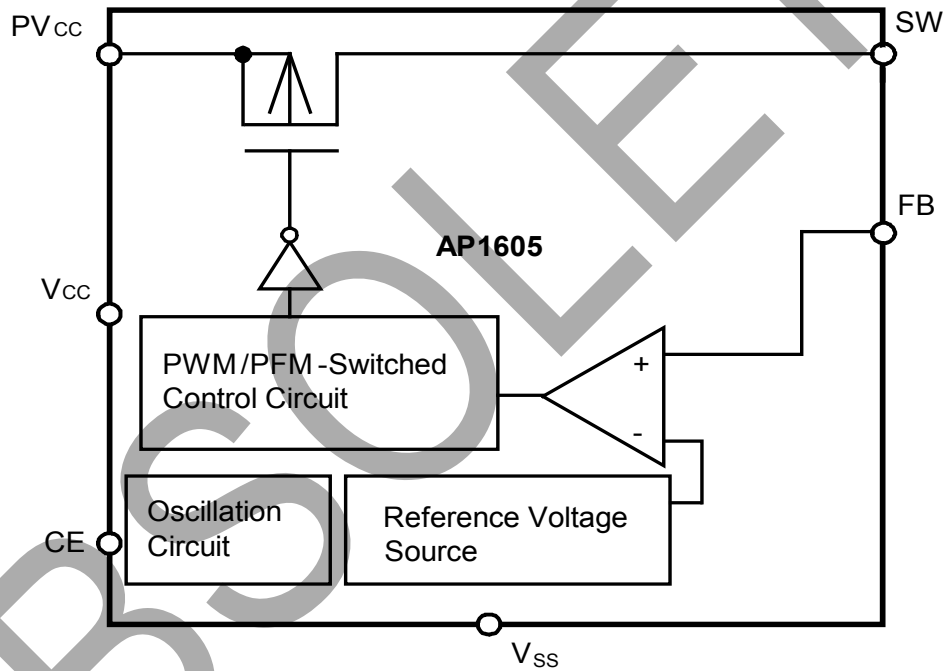
$$V_{out} = V_{FB} \times \left(1 + \frac{R_A}{R_B}\right)$$

OBSOLETE - PART DISCONTINUED

Pin Descriptions

Pin Number	Pin Name	Description
1	FB	Feedback pin
2	CE	Chip Enable: H: Enable L: Disable
3	V _{CC}	IC signal power supply pin, add a 10Ω resistor to PV _{CC} and a 0.1μF capacitor to GND.
4	PV _{CC}	IC power supply pin
5, 6	SW	Switch Pin. Connect external inductor/diode here. Minimize trace area at this pin to reduce EMI.
7, 8	V _{SS}	GND Pin

Functional Block Diagram



Absolute Maximum Ratings

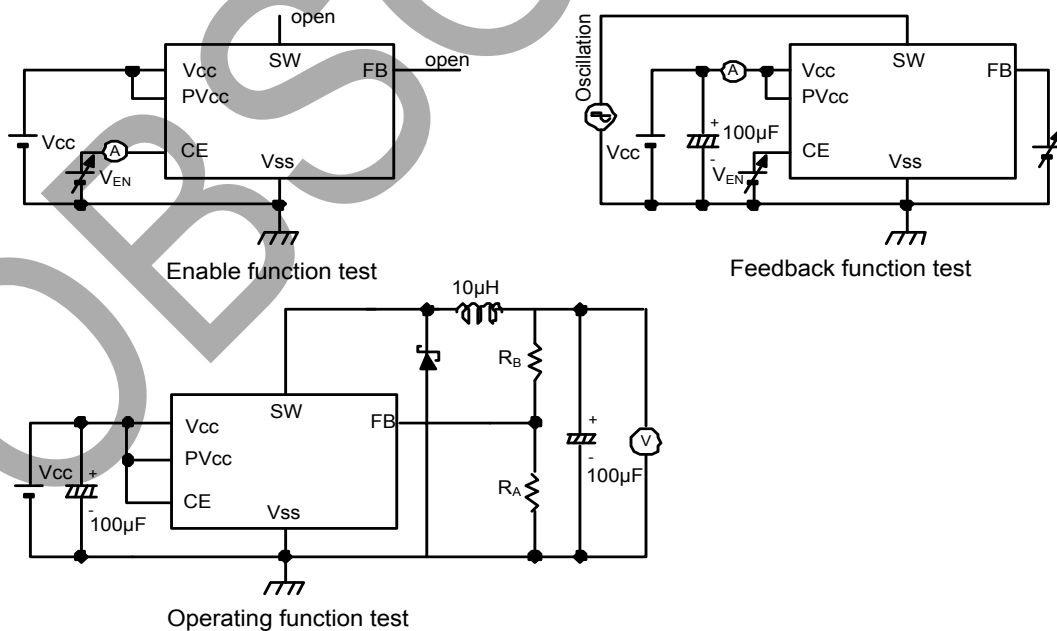
Symbol	Parameter	Rating	Unit
V _{CC}	V _{CC} Pin Voltage	V _{SS} - 0.3 to V _{SS} + 8	V
PV _{CC}	PV _{CC} Pin Voltage	V _{SS} - 0.3 to V _{SS} + 8	V
FB	FB Pin Voltage	V _{SS} - 0.3 to V _{SS} + 8	V
V _{CE}	CE Pin Voltage	V _{SS} - 0.3 to V _{SS} + 8	V
V _{SW}	SW Pin Voltage	V _{SS} - 0.3 to V _{IN} + 0.3	V
P _D	Power Dissipation	1200	mW
T _{OPR}	Operating Temperature Range	-20 to +85	°C
T _{STG}	Storage Temperature Range	-20 to +125	°C

Caution: The absolute maximum ratings are rated values exceeding which the product could suffer physical damage. These values must therefore not be exceeded under any conditions.

Electrical Characteristics ($V_{IN} = 5V$, $T_A = +25^{\circ}C$, unless otherwise specified.)

Symbol	Parameter	Conditions	Min.	Typ.	Max.	Unit
V_{IN}	Input Voltage	AP1605 Series	2.5	—	7	V
V_{REF}	Internal Reference Voltage	—	1.1625	1.2	1.2375	V
V_{UVLO}	UVLO Voltage	Voltage required to maintain V_{OUT}	—	—	2.2	V
MAXDTY	Maximum Duty Ratio	—	100	—	—	%
PFMDTY	PFM Duty Ratio	—	15	25	35	%
I_{SW}	Switch Current	Duty = 50%	3	—	—	A
I_{SS}	Current Consumption $POWER_{ON}$	$V_{OUT} = 2.5V$	—	35	100	μA
I_{SSS}	Current Consumption During Power Off	$V_{ON/OFF} = 0V$	—	—	2	μA
ΔV_{OUT1}	Line Regulation	2.5V to 7V @ $I_{OUT} = 0.1A$	—	0.2	0.5	%
ΔV_{OUT2}	Load Regulation	0.1A to 3A	—	1	1.5	%
f_{OSC}	Oscillation Frequency	—	220	300	380	kHz
V_{CEH}	CE Pin "High" Voltage	Evaluate oscillation at SW pin	0.65	—	—	* V_{CC}
V_{CEL}	CE Pin "Low" Voltage	Evaluate oscillation stop at SW pin	—	—	0.2	
I_{SH}	CE Pin Input Leakage Current	—	-0.1	—	0.1	μA
I_{SL}		—	-0.1	—	0.1	μA
EFFI	Efficiency	$V_{IN} = 5V$, $V_{OUT} = 2.5V$, $I_{OUT} = 1A$	—	93	—	%

Test Circuit



OBSOLETE - PART DISCONTINUED

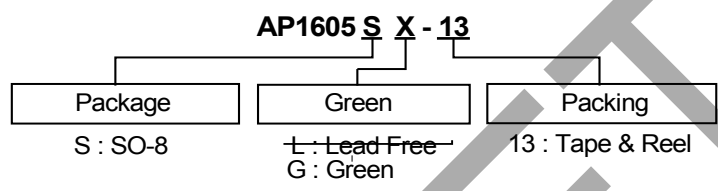
Functional Description

PWM/PFM Control (AP1605 Series)

The AP1605 consists of DC/DC converters that employ a PWM/PFM auto-switch system.

In converters of the AP1605, the PFM mode varies in a range of duty cycle from 0% to 25%, and the PWM mode varies in a range of duty cycle from 25% to 100% according to the load current, and yet ripple voltage produced by the switching can easily be removed through a filter because the switching frequency remains constant. Therefore, these converters provide a low-ripple power over broad ranges of input voltage and load current.

Ordering Information

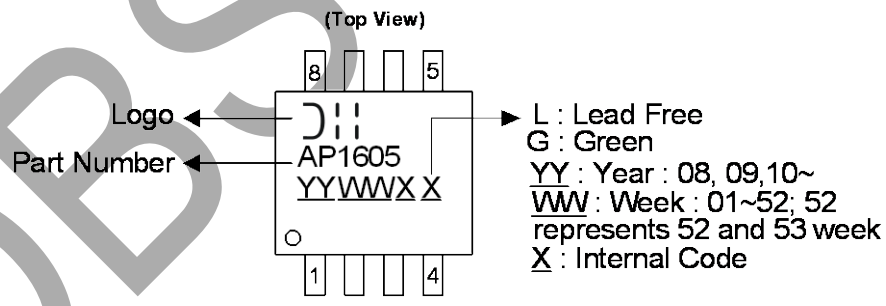


Part Number (Note 4)	Package Code	Package (Note 5)	Green	Quantity	Part Number Suffix		Status (Note 4)
					Tube	13" Tape and Reel	
AP1605SG-13	S	SO-8	Green	2500	NA	-13	In production

Notes: 4. All Lead-Free variants are End of life without replacement.
5. For packaging details, go to our website at: <https://www.diodes.com/design/support/packaging/diodes-packaging/diodes-package-outlines-and-pad-layouts/>.

Marking Information (Note 5)

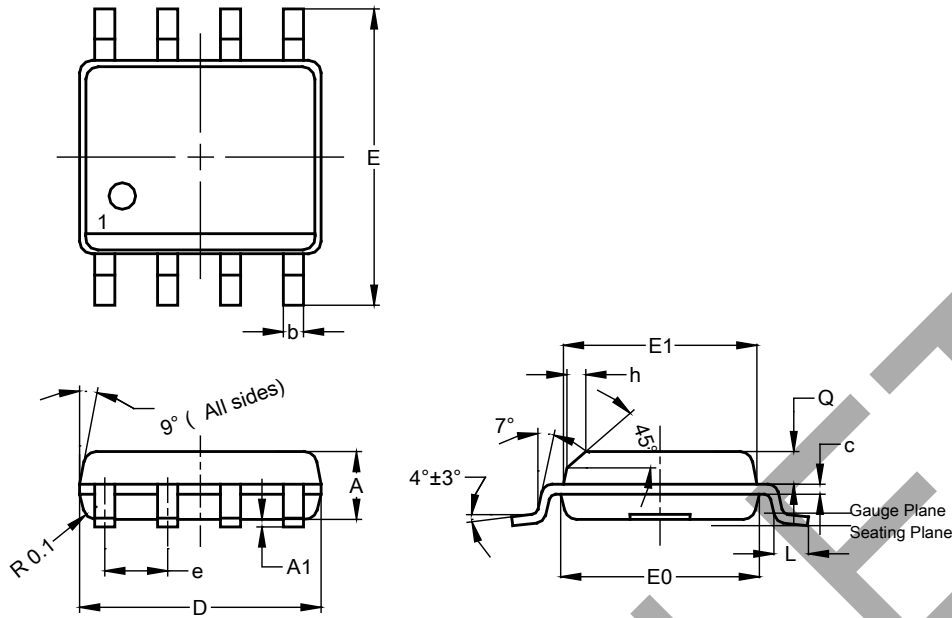
(1) SO-8



Package Outline Dimensions

Please see <http://www.diodes.com/package-outlines.html> for the latest version.

SO-8



SO-8			
Dim	Min	Max	Typ
A	1.40	1.50	1.45
A1	0.10	0.20	0.15
b	0.30	0.50	0.40
c	0.15	0.25	0.20
D	4.85	4.95	4.90
E	5.90	6.10	6.00
E1	3.80	3.90	3.85
E0	3.85	3.95	3.90
e	--	--	1.27
h	--	--	0.35
L	0.62	0.82	0.72
Q	0.60	0.70	0.65

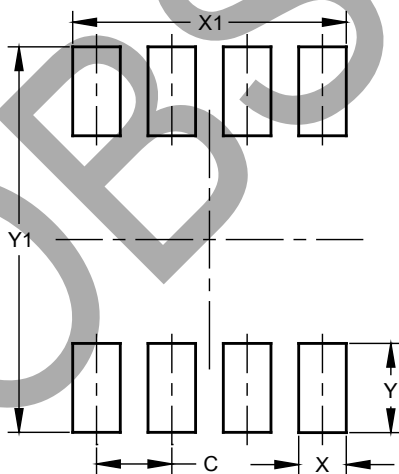
All Dimensions in mm

OBSOLETE - PART DISCONTINUED

Suggested Pad Layout

Please see <http://www.diodes.com/package-outlines.html> for the latest version.

SO-8



Dimensions	Value (in mm)
C	1.27
X	0.802
X1	4.612
Y	1.505
Y1	6.50

IMPORTANT NOTICE

1. DIODES INCORPORATED AND ITS SUBSIDIARIES (“DIODES”) MAKE NO WARRANTY OF ANY KIND, EXPRESS OR IMPLIED, WITH REGARDS TO ANY INFORMATION CONTAINED IN THIS DOCUMENT, INCLUDING, BUT NOT LIMITED TO, THE IMPLIED WARRANTIES OF MERCHANTABILITY, FITNESS FOR A PARTICULAR PURPOSE OR NON-INFRINGEMENT OF THIRD PARTY INTELLECTUAL PROPERTY RIGHTS (AND THEIR EQUIVALENTS UNDER THE LAWS OF ANY JURISDICTION).
2. The Information contained herein is for informational purpose only and is provided only to illustrate the operation of Diodes products described herein and application examples. Diodes does not assume any liability arising out of the application or use of this document or any product described herein. This document is intended for skilled and technically trained engineering customers and users who design with Diodes products. Diodes products may be used to facilitate safety-related applications; however, in all instances customers and users are responsible for (a) selecting the appropriate Diodes products for their applications, (b) evaluating the suitability of the Diodes products for their intended applications, (c) ensuring their applications, which incorporate Diodes products, comply the applicable legal and regulatory requirements as well as safety and functional-safety related standards, and (d) ensuring they design with appropriate safeguards (including testing, validation, quality control techniques, redundancy, malfunction prevention, and appropriate treatment for aging degradation) to minimize the risks associated with their applications.
3. Diodes assumes no liability for any application-related information, support, assistance or feedback that may be provided by Diodes from time to time. Any customer or user of this document or products described herein will assume all risks and liabilities associated with such use, and will hold Diodes and all companies whose products are represented herein or on Diodes’ websites, harmless against all damages and liabilities.
4. Products described herein may be covered by one or more United States, international or foreign patents and pending patent applications. Product names and markings noted herein may also be covered by one or more United States, international or foreign trademarks and trademark applications. Diodes does not convey any license under any of its intellectual property rights or the rights of any third parties (including third parties whose products and services may be described in this document or on Diodes’ website) under this document.
5. Diodes products are provided subject to Diodes’ Standard Terms and Conditions of Sale (<https://www.diodes.com/about/company/terms-and-conditions/terms-and-conditions-of-sales/>) or other applicable terms. This document does not alter or expand the applicable warranties provided by Diodes. Diodes does not warrant or accept any liability whatsoever in respect of any products purchased through unauthorized sales channel.
6. Diodes products and technology may not be used for or incorporated into any products or systems whose manufacture, use or sale is prohibited under any applicable laws and regulations. Should customers or users use Diodes products in contravention of any applicable laws or regulations, or for any unintended or unauthorized application, customers and users will (a) be solely responsible for any damages, losses or penalties arising in connection therewith or as a result thereof, and (b) indemnify and hold Diodes and its representatives and agents harmless against any and all claims, damages, expenses, and attorney fees arising out of, directly or indirectly, any claim relating to any noncompliance with the applicable laws and regulations, as well as any unintended or unauthorized application.
7. While efforts have been made to ensure the information contained in this document is accurate, complete and current, it may contain technical inaccuracies, omissions and typographical errors. Diodes does not warrant that information contained in this document is error-free and Diodes is under no obligation to update or otherwise correct this information. Notwithstanding the foregoing, Diodes reserves the right to make modifications, enhancements, improvements, corrections or other changes without further notice to this document and any product described herein. This document is written in English but may be translated into multiple languages for reference. Only the English version of this document is the final and determinative format released by Diodes.
8. Any unauthorized copying, modification, distribution, transmission, display or other use of this document (or any portion hereof) is prohibited. Diodes assumes no responsibility for any losses incurred by the customers or users or any third parties arising from any such unauthorized use.

Copyright © 2021 Diodes Incorporated

www.diodes.com